


- 1 Wymiar A - dowolny (np.140) z lub bez gwintu, zapewniający pewne osadzenie w łopacie.
2. Stal 25HM - ulepszać cieplnie
3. Chropowość  $Ra < 3,2$

DESIGNED BY: <b>K. Tesch</b>		<b>Trzpień</b>		G	—
DATE: <b>26.06.2023</b>		Politechnika Gdańska		F	—
SIZE <b>A4</b>				E	—
SCALE <b>1:1</b>				WEIGHT (kg) <b>1,4</b>	DRAWING NUMBER
SCALE <b>1:1</b>		WEIGHT (kg) <b>1,4</b>	DRAWING NUMBER	C	—
SCALE <b>1:1</b>		WEIGHT (kg) <b>1,4</b>	DRAWING NUMBER	B	—
SCALE <b>1:1</b>		WEIGHT (kg) <b>1,4</b>	DRAWING NUMBER	A	—
SHEET <b>1/2</b>					
This drawing is our property; it can't be reproduced or communicated without our written consent.					

F

E

D

C

B

A

4

4

3

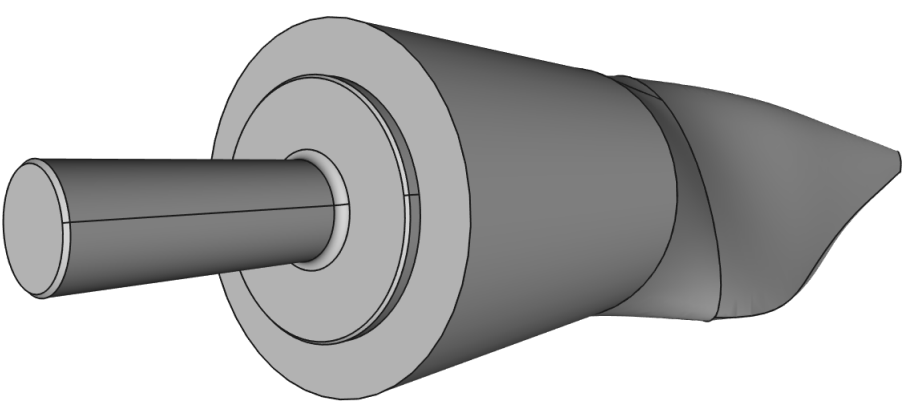
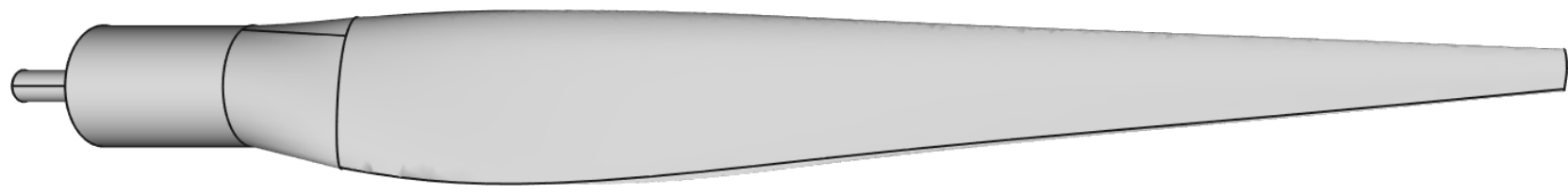
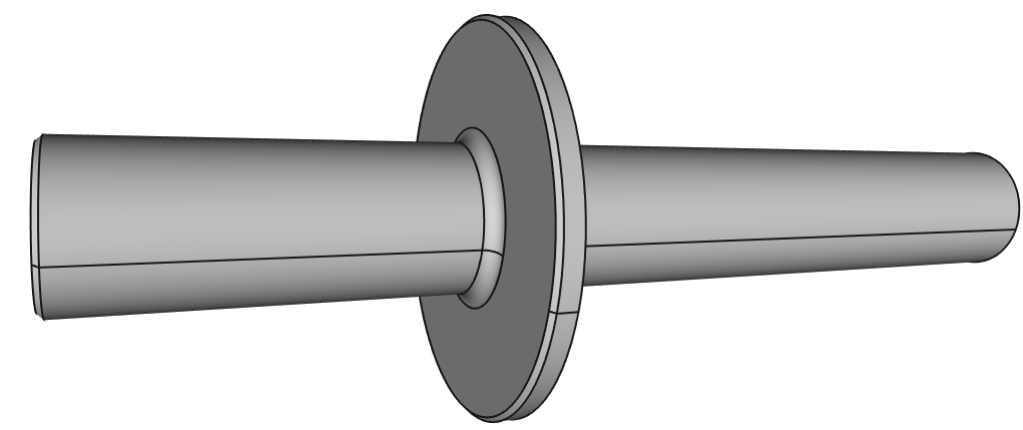
3

2

2

1

1



DESIGNED BY: <b>K. Tesch</b>		<b>Trzpień</b>		G	—
DATE: <b>26.06.2023</b>		Politechnika Gdańska		F	—
SIZE <b>A4</b>				E	—
				D	—
SCALE	WEIGHT (kg)	DRAWING NUMBER	SHEET <b>2/2</b>	C	—
This drawing is our property; it can't be reproduced or communicated without our written consent.				B	—
				A	—



F

E

D